

ilektro Slimline

IS50

SPECIFICATION SHEET



Version 1 06/04/23

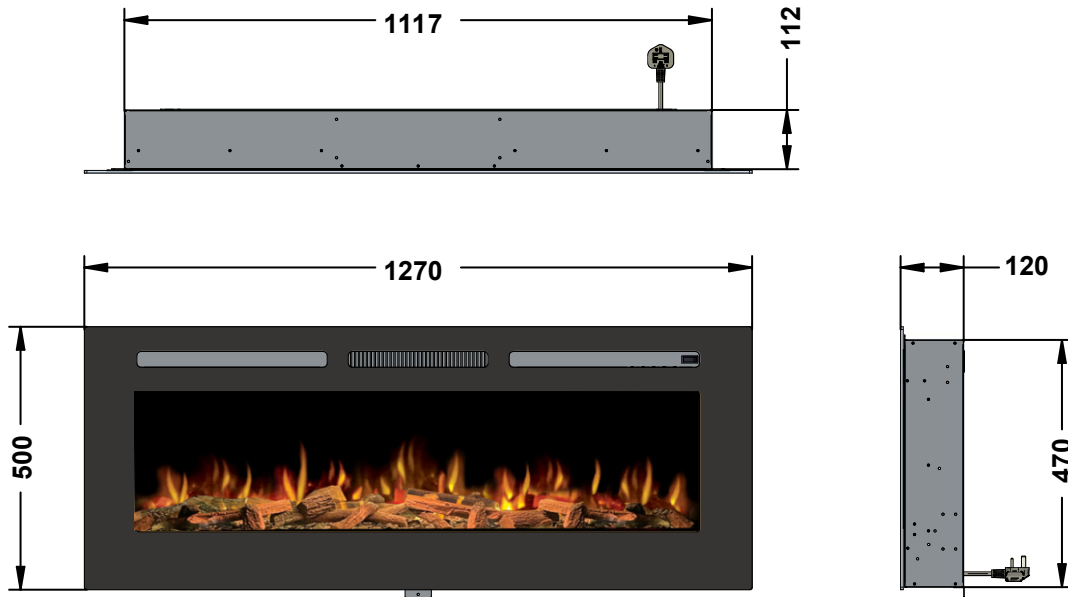
Contents of manual may be updated without notice.

For the latest version of this manual please refer to
our website: www.eurostove.co.uk

PAUL AGNEW | **DESIGNS**

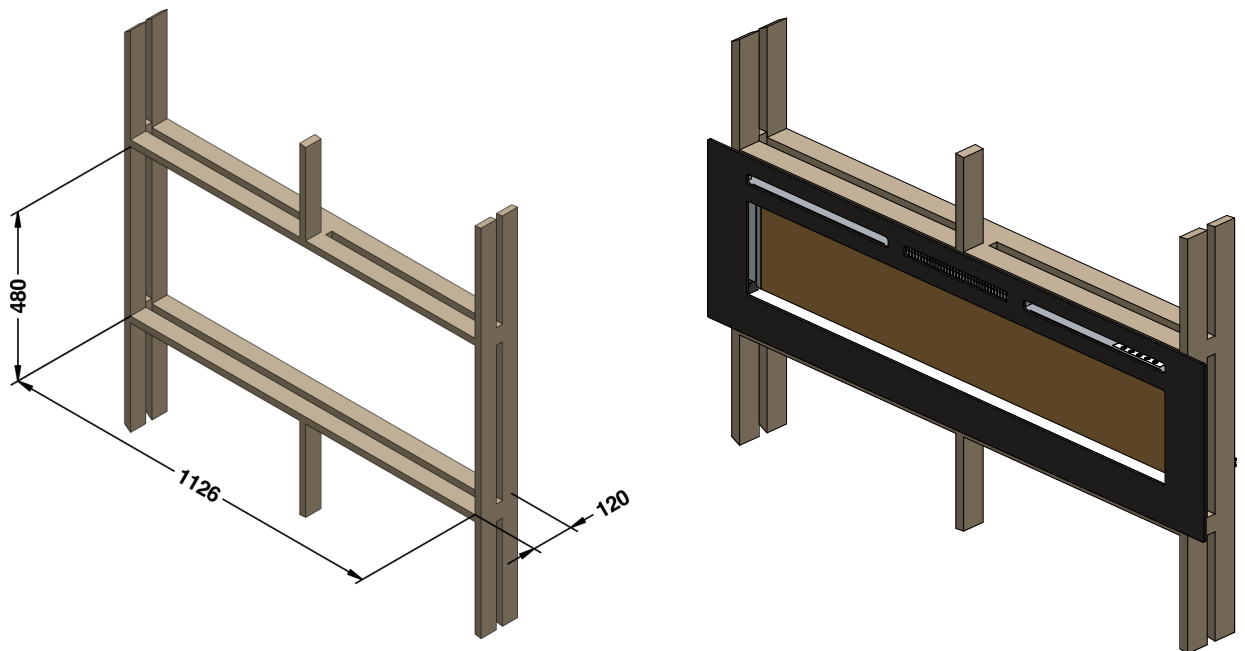
ilektro Slimline IS50

APPLIANCE DIMENSIONS Product Code:



FRAME BUILD OUT DIMENSIONS (All dimensions are in millimetres)

H - MIN	W - MIN	C - CAVITY DEPTH
480	1126	120



PLEASE NOTE: DIMENSIONS ARE FOR REFERENCE ONLY - CONSULT YOUR INSTALLER AND RETAILER FOR GUIDANCE



Eurostove Ltd.
Unit H1, Mendip Industrial Estate
Mendip Road, Rooksbridge
Somerset. **BS26 2UG**

Website:
www.eurostove.co.uk

Email:
info@eurostove.co.uk

iléktró